

## Butterfly Valve - Handle / Worm Gear Operated

"PTFE" Lined



"Cair" Offers PTFE Lined Butterfly Valve for Corrosive Application. The PTFE Seat Lined Covers the entire Wetted Surface of the body and Extends on to the Flanged Contact Faces, Thus elimination as possibility of any media contact with the body.

**Size Range : 2" To 16"**

### Technical Specifications :

Body	Cat Iron / WCB / CF8M / CF8 / CF3M / I.C.
Disc	CF8 / CF8M / CF3M / SGI / Teflon Coated / Nylon Coated Powder Coated
Seat	PTFE
Shaft	AISI 410 / CF8 / CF8M / CF3M
Valve Type	Centric Disc Butterfly Valve with a PTFE lined body
Body Type	Short wafer (Sandwiched between flanges), Two Piece Design
Seat Type	Lined with the body
End Connection	Wafer sandwiched (Lug Type On Request)
Pressure Rating	PN 10 / PN 16 (On Request)
Oper. Temp. Range	-25 °C to 200 °C (depending on MOC)
Seat Leakage	Tight shut off (Better than Class)
Operation	Hand lever for sizes from 40 NB to 150 NB Worm gear boxes for 200 NB to 300 NB.



### Key Features :

- Full PN 10 pressure rating for the entire range of valve sizes from 50 NB to 400 NB.
- Bi-directional valve with sealing capability to hold rated shut off pressure in either direction
- Circularly mounded back up elastomer provides uniform contact pressure over the entire seat Without losing shaft bore shape, ensuring bubble tight closure every time.
- Unique triple sealing system for shaft sealing, eliminates any fugitive emission or secondary leakage.
- Self lubricated shaft bearings (PTFE coated stainless steel) for both drive end and non-drive end shaft ensures minimum bearing friction torque.
- Live loaded disc shoulder sealing arrangement through pusher and dice springs in both top and bottom shaft bores, acting on PTFE liner ensures leak free mechanical stem seal.
- Back up elastomer standardised in Viton to ensure excellent corrosion protection and maximum temperature resistance against media fumes and higher temperature.
- Disc springs and fasteners standardised on corrosion resistant stainless steel to ensure long service.
- A choice of exotic metallurgy for the dice, to meet any type of aggressive media.
- Low operating torque enable selecting of smaller size actuator.
- Perfect adaptability for converting from manual to actuated operation due to standardised top.

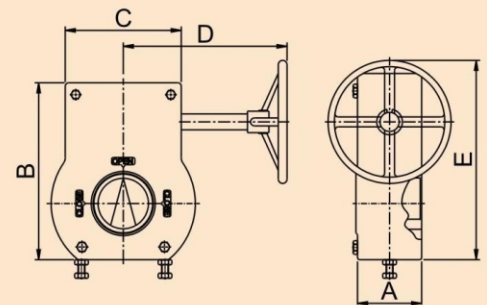
### Standards :

Design and manufacturing : API 609 category A/BS 5155 / MSS SP-67 / C-504  
 Valve face to face dimensions : Short wafer as per ISO 5752 Tab 5 / API 609 Category A  
 Top flanged drilling : ISO 5211 Part II  
 Inspection and testing : API 598 / BS 6755 / FCI-702  
 Flanged standard conformity : ANSI 150, DIN PN 10 / 16

### Dimensions :

(All Dimensions are in mm)

Valve Model	Valve Size		A	B	C	ØD	E	L	Weight (Approx)
	MM	Inch							
ECO - 50	50	2"	70.5	114	37.5	50	143.5	178	2.400
ECO - 65	65	2.1/2"	80	121	40.2	65	151	178	2.900
ECO - 80	80	3"	84.5	129	40.5	80	159	178	3.100
ECO - 100	100	4"	100.5	145	46.5	100	175	265	4.500
ECO - 125	125	5"	113.5	163	50.3	125	175	265	6.400
ECO - 150	150	6"	132.5	175	50.3	150	207	265	8.100
ECO - 200	200	8"	162	198	54.5	200	230	375	11.300
ECO - 250	250	10"	203	245	61	241	280	375	25.500
ECO - 300	300	12"	208	250	72.5	287.8	285	375	32.600
ECO - 400	400	16"	303	350	102	383.2	-	-	72



Valve Model	Valve Size	A	B	C	D	E
AT - 20	1.1/2 to 8"	48	48	78	180	181
AT - 25	10" to 12"	62	62	98	240	233
AT - 30	14" to 16"	68	68	119	285	318

