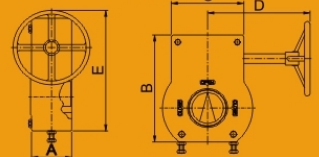


"Cair" offers rubber lined Butterfly Valves for HVAC & utilities. These Valves are truly Fit & Forget Valve, which requires minimum maintenance. The body lines which also functions as the soft seat, comes in an integrally moulded version & offers bi-directional sealing against vacuum upto the pressure of PN 10 / PN 16

Rubber lined Centric disc butterfly valve



Dimensions :

Valve Model	Valve Size		Port	A	B	C	ØD	E	L	Weight (Approx)
	MM	Inch								
ECO-IC-40	40	1.1/2"	40	58	107	34	80	134	185	1.700
ECO-IC-50	50	2"	50	65	118	44	95	145	185	2.400
ECO-IC-65	65	2.1/2"	65	74	128	46	108	155	185	2.900
ECO-IC-80	80	3"	80	81	137	46	124	164	185	3.100
ECO-IC-100	100	4"	100	101	149	52	150	177	223	4.500
ECO-IC-125	125	5"	125	111	160	56	182	188	223	6.400
ECO-IC-150	150	6"	150	127	180	56	205	210	267	8.100
ECO-IC-200	200	8"	200	154	208	60	257	241	370	11.300
ECO-IC-250	250	10"	241	227	267	68	329	339	620	28.000
ECO-IC-300	300	12"	286	254	287	78	374	359	620	33.000
ECO-IC-350	350	14"	333	265	307	78	437	379	620	44.000
ECO-IC-400	400	16"	382	301	358	102	493	431	620	75.000
ECO-IC-450	450	18"	433	328	382	114	547	-	-	110.000
ECO-IC-500	500	20"	476	360	408	127	594	-	-	141.000
ECO-IC-550	550	22"	548	368	434	140	665	-	-	145.000
ECO-IC-600	600	24"	590	442	485	154	705	-	-	235.000
ECO-IC-650	650	26"	635	445	490	165	750	-	-	-
ECO-IC-700	700	28"	680	487	537	165	805	-	-	-
ECO-IC-750	750	30"	735	533	572	190	876	-	-	-
ECO-IC-800	800	32"	780	572	618	190	925	-	-	-
ECO-IC-850	850	34"	835	615	645	190	1000	-	-	-
ECO-IC-900	900	36"	880	665	684	203	1025	-	-	-
ECO-IC-950	950	38"	935	690	695	216	1090	-	-	-
ECO-IC-1000	1000	40"	980	710	720	216	1130	-	-	-
ECO-IC-1200	1200	48"	1180	806	822	254	1346	-	-	-

Key Feature :

- Integrally moulded seat liner on the body, which ensures excellent dimensional stability & guaranteed seat tightness.
- Seat liner extending on to the contact faces ensures perfect sealing and eliminates the need for separate flange gaskets.
- Narrow land disc ensures perfect sealing with least operating torque requirements.
- A fully universal body design ensures fitting of the valve between companion flanges of all popular standards (viz : ANSI, BS, DIN, JIS, IS ect.)
- The notch disc & band lever ensures locking of the valve in 8 intermediate position in addition to close and open position. Hand lever can be locked through pad lock.
- Body casting made of superior FG 280 grade cast iron to ensure additional strength.
- Valve disc made of stainless steel / ductile cast iron which enable protection against possible water hammer or pressure surges.
- A truly line size body bone to ensure maximum flow capacity with the lowest pressure drop.

Standards :

Design and manufacturing : API 609 category A / BS 5155 / MSS SP-67 / C-504
 Valve face to face dimensions : Short wafer as per ISO 5752 / Tab 5 / API 609 Category A
 Top flange drilling : ISO 5211 Part II
 Inspection and testing : API 598 / BS 6755
 Flange standard conformity : ANSI 150, DIN PN6 / 10, JIS 5K / 10K BS 10 Tab D & E, IS 6392 NP 0.6 / 10

Size Range : 1.1/2" To 40"

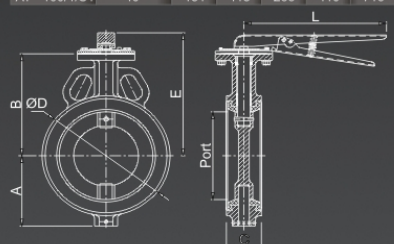
Technical Specifications :

Body	I.C. / CI (IS 210 Gr. FG 200 / 220) WCB / S.S. 304 / S.S. 316
Disc	CF8 / CF8M / CF3M / S.G. Iron / Teflon Coated / Powder Coated Nylon Coated / Rubber Line
Seat	EPDM / Nitrile / Hayplon / Viton / Moulded or Replaceable muller type
Shaft	AISI 410 / CF8 / CF8M / CF3M
Valve Type	Centric Disc Butterfly Valve with a single piece rubber lined body
Body Type	Short wafer (sandwiched between flanges)
Seat Type	Integrally moulded with the body
End Connection	Wafer Sandwiched (Lug Type On Request) Wafer type double flange suit for #150 'D' Table 'E' & IS6392 Table 11 (PN 10/PN 1.6) AWWA BS "
Pressure rating	PN 10 / PN 16 (On Request)
Oper. Temp. range	-25 °C to 130 °C (depending on MOC)
Seat Leakage	Tight shut off
Operation	Hand lever for sizes from 40 MM to 350 MM Worm gear boxes for 40 MM to 1000 MM

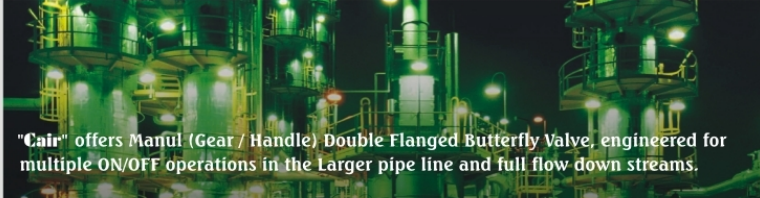
(All Dimensions are in mm)

Dimensions : (All Dimensions are in mm)

Valve Model	Valve Size	A	B	C	D	E
AT - 20	1.1/2" to 8"	48	110	78	180	181
AT - 25	10" to 12"	62	136	98	240	233
AT - 30	14" to 16"	68	180	119	285	318
AT - 40	-	83	176	116	300	318
AT - 50	18"	75	202	140	305	409
AT - 60	20" to 22"	84	214	180	320	425
AT - 70	24" to 26"	115	294	240	370	478
AT - 80	28" to 30"	111	331	208	350	583
AT - 80/1/S1	32" to 36"	123	394	240	395	568
AT - 70/3/S1	36" to 38"	112	331	208	381	647
AT - 100/1/S1	40"	151	413	266	410	716



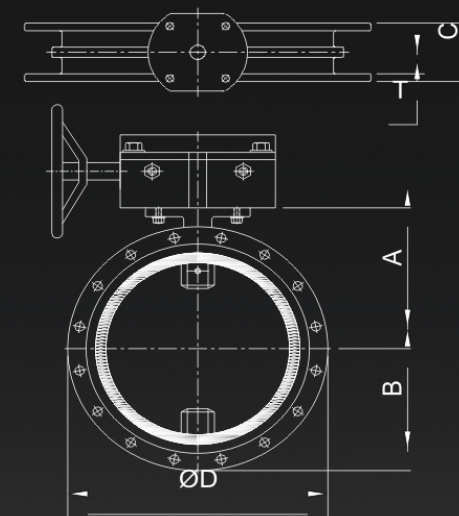
Note : Since, constant worldwide advancement in technology, we keep our rights reserved to make changes time to time in Technical specifications and Dimensions without prior notice.



"Cair" offers Manil (Gear / Handle) Double Flanged Butterfly Valve, engineered for multiple ON/OFF operations in the Larger pipe line and full flow down streams.

Handle/Worm Gear Operated Wafer type Double Flange Butterfly Valve

www.actuatorindia.com



Dimensions :

(All Dimensions are in mm)

Valve Model	Valve Size		A	B	ØD	C	T	ØJ	N	PCD
	MM	Inch								
DFW - ECO - 150	150	6"	174	140	285	56	10	22.35	8	241.3
DFW - ECO - 200	200	8"	214	170.5	345	60	12.5	22.35	8	298.24
DFW - ECO - 250	250	10"	260.5	203.5	410	68	15	25.4	12	361.95
DFW - ECO - 300	300	12"	300	240	485	78	15	25.4	12	431.8
DFW - ECO - 350	350	14"	336.5	265.5	535	78	18	28.45	12	476.25
DFW - ECO - 400	400	16"	362	296	600	102	20	28.45	16	539.75
DFW - ECO - 450	450	18"	389.5	314	645	114	24	31.75	16	577.85
DFW - ECO - 500	500	20"	425	346	710	127	26	31.75	20	635
DFW - ECO - 600	600	24"	496.5	403	830	154	28.5	35.05	20	749.3
DFW - ECO - 700	700	28"	498.5	463.5	932	165	31.5	35.052	28	863.6
DFW - ECO - 750	750	30"	574	492	988	165	34	35.052	28	914.4
DFW - ECO - 800	800	32"	620	530	1065	190	36.5	41.148	28	977.9
DFW - ECO - 900	900	36"	686	584	1172	203	38	41.148	32	1085.85
DFW - ECO - 1000	1000	40"	722	642	1289	216	44	41.148	36	1200.15
DFW - ECO - 1200	1200	48"	-	-	-	-	-	-	-	-

On Request

Note : Since, constant worldwide advancement in technology, we keep our rights reserved to make changes time to time in Technical specifications and Dimensions without prior notice.