

Double Flange
design

TIME TESTED DESIGNS WITH
SUPERIOR PERFORMANCE

SERIES **7150** WAFER TYPE

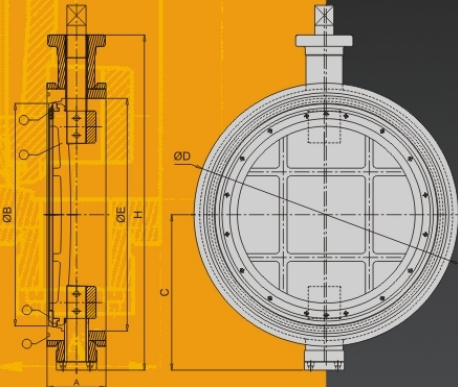
SERIES **7150 D** DOUBLE FLANGE TYPE

Torque & Dimension

Series 7150 (150 # Off - Set Disc Butterfly Valve Wafer Type)

SIZE		TORQUE VALUES IN KG.F.M			
INCH	MM	5 Kg/cm ²	10 Kg/cm ²	15 Kg/cm ²	20 Kg/cm ²
4"	100mm	4.0	4.6	5.4	6.4
5"	125mm	5.8	8.0	9.5	11.5
6"	150mm	9.0	11.5	12.5	14.5
8"	200mm	14.0	17.5	24.0	28.0
10"	250mm	23.5	26.5	28.0	30.0
12"	300mm	32.0	36.0	40.0	50.0
14"	350mm	50.0	65.0	83.5	108.5
16"	400mm	69.4	94.5	120.0	160.0
18"	450mm	95.5	128.0	157.2	205.0
20"	500mm	122.5	193.3	210.0	293.4
24"	600mm	213.3	293.4	366.7	440.1

- Standards :**
 Design and manufacturing : API 609 Category B / MSS-SP 68
 Valve face to face dimension : API 609 Category B / ISO 5752
 Flange standard conformity : ANSI B 16.5 Class 150
 ANSI B 16.47 Series 'A'
 Inspection & Testing : API 598 / BS 6755
 Presser temperature rating : ANSI B 16.34
 Top flange dimension : Bolt Hole ISO 5211
 Stem dimension : Square Drive to ISO 5211
 Leakage class : Class VI as per ANSI B 16.104



Off - Set Disc Butterfly Valve Wafer Type

Class 150, PN10, PN16
 Dimension : Series 7150 (Wafer Type)

VALVE SIZE IN	A	ØB	C	ØD	ØE	H
4" (100 mm)	54	90	96	158	110	237
6" (150 mm)	57	128	115	216	152	285
8" (200 mm)	64	174	141	270	200	344.5
10" (250 mm)	72	220	179	325	250	416
12" (300 mm)	81	276	210	373	306	486
14" (350 mm)	92	325	234	412	350	541
16" (400 mm)	102	356	275	472	400	625
18" (450 mm)	114	401	327.5	532	445	698
20" (500 mm)	127	463	359	584	505	764.5
24" (600 mm)	154	585.5	409	692.1	612	882
26" (650) x 48" (1200mm)	On request					

All Dimensions are in (mm)

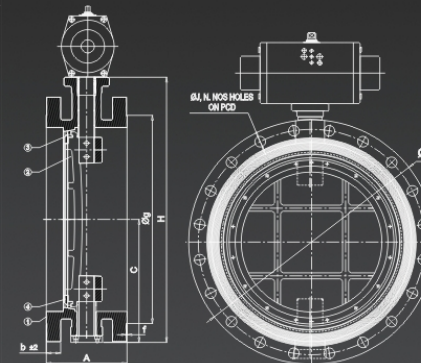
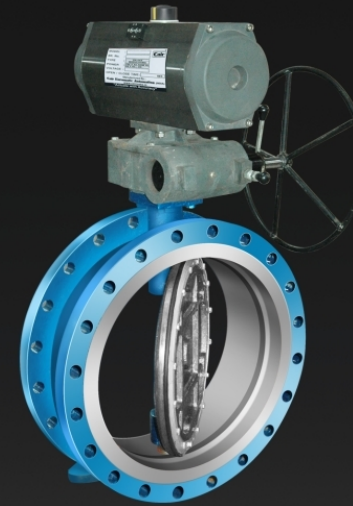
Torque & Dimension

www.actuatorindia.com

Series 7150 D (150 # Off - Set Disc Butterfly Valve Double Flange Type)

SIZE		TORQUE VALUES IN KG.F.M			
INCH	MM	5 Kg/cm ²	10 Kg/cm ²	15 Kg/cm ²	20 Kg/cm ²
4"	100mm	4.0	4.6	5.4	6.4
5"	125mm	5.8	8.0	9.5	11.5
6"	150mm	9.0	11.5	12.5	14.5
8"	200mm	14.0	17.5	24.0	28.0
10"	250mm	23.5	26.5	28.0	30.0
12"	300mm	32.0	36.0	40.0	50.0
14"	350mm	50.0	65.0	83.5	108.5
16"	400mm	69.4	94.5	120.0	160.0
18"	450mm	95.5	128.0	157.2	205.0
20"	500mm	122.5	193.3	210.0	293.4
24"	600mm	213.3	293.4	366.7	440.1

- Standards :**
 Design and manufacturing : API 609 / AWWA C-504
 Valve face to face dimension : API 609 Short Pattern / ISO 5752
 Flange standard conformity : ANSI B 16.5 Class 150
 BS - 10 Table 'D'
 ANSI B 16.47 Series 'A'
 BS - 4504 / IS 1538 / AWWA C-207
 Inspection & Testing : API 598 / BS 6755 / ANSI FCI - 70-2
 Presser temperature rating : ANSI B 16.34
 Top flange dimension : Bolt Hole ISO 5211
 Stem dimension : Square Drive to ISO 5211
 Leakage class : Class VI as per ANSI B 16.104



Off - Set Disc Butterfly Valve Double Flange Type

Class 150, PN10, PN16
 Dimension : Series 7150D (Double Flange Type)

VALVE SIZE IN	A	b	C	ØD	f	Øg	H	ØJ	N	PCD
4" (100 mm)	127	23.88	96	228.6	1.6	157.23	237	19.05	08	190.5
6" (150 mm)	140	25.4	115	279.4	1.6	216	285	22.35	08	241.3
8" (200 mm)	152	28.45	141	343	1.6	269.75	344.5	22.35	08	298.45
10" (250 mm)	165	30.23	179	406.4	1.6	323.85	416	25.4	12	361.95
12" (300 mm)	178	31.75	210	482.6	1.6	381.6	486	25.4	12	431.8
14" (350 mm)	190	35.05	234	533.4	1.6	412.75	541	28.45	12	476.25
16" (400 mm)	216	36.58	275	596.9	1.6	469.9	625	28.45	16	539.75
18" (450 mm)	222	39.6	327.5	635	1.6	533.4	698	31.75	16	577.85
20" (500 mm)	229	42.9	359	698.5	1.6	584.2	764.5	31.75	20	635
24" (600 mm)	267	47.7	409	812.8	1.6	692.15	882	35.05	20	749.3
26" (650) x 48" (1200mm)	On request									

All Dimensions are in (mm)